

# DEC Fire Pump Controller

**MASTER**

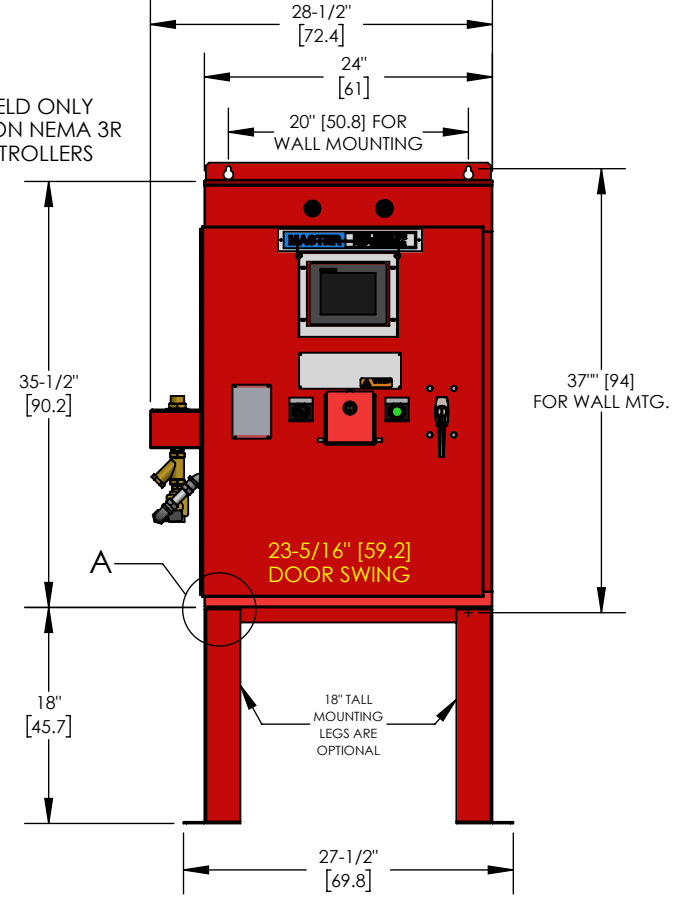
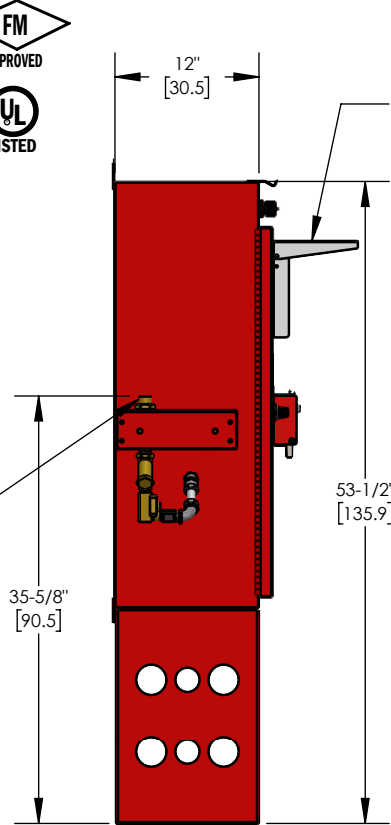
**Notes:**

- Construction:** NEMA Type 12, 3R, and 4
- Finish:** Fire Pump Red
- Conduit Entrance:** Conduit Entry on Top or Bottom.  
Protect Equipment from Drilling Chips
- Conduit Hubs:** Waterproof Hubs Required for Top Entry
- Access:** Front
- Mounting:** Wall Mount or Floor Mount with Optional Legs
- Shipping Weight:** 190 Lbs. (86.2 kg) Max.

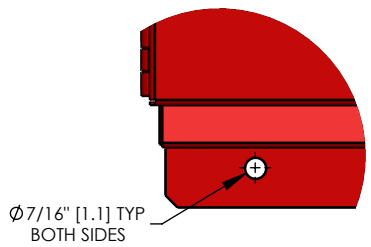
Dimensions In Inches and [Centimeters]



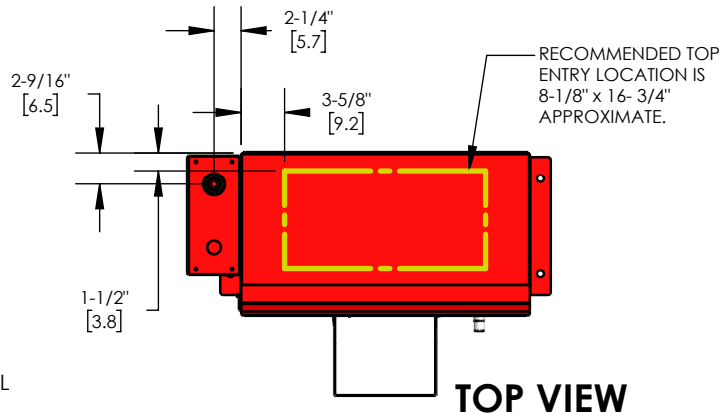
1/2" (13mm) Female N.P.T.  
Nominal (Trade Size)  
American Std. Tapered  
Pipe Thread



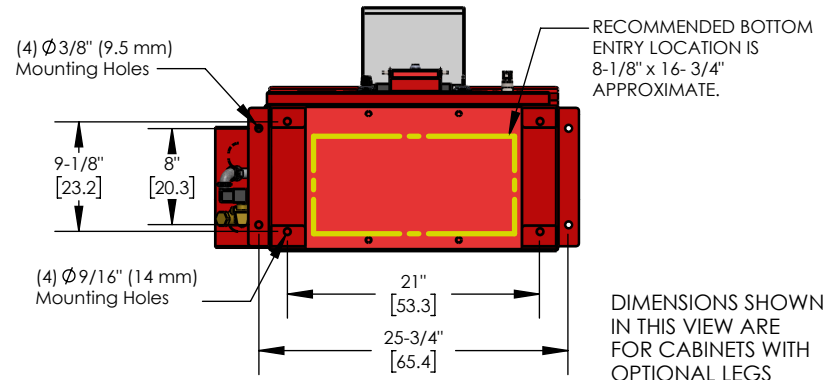
DETAIL A  
SCALE 1 : 4



DETAIL SHOWS HOLE FOR WALL MOUNTING IF OPTIONAL LEGS ARE NOT USED. TYP. BOTH SIDES



**TOP VIEW**



DIMENSIONS SHOWN IN THIS VIEW ARE FOR CABINETS WITH OPTIONAL LEGS