

EC Single Source Fire Pump Controller

MASTER

Model	Short Circuit Current Rating	Maximum Horsepower				
		200/208	220-240	380/415	440-480	550-600
ECA	100,000A	125	150	250	300	350
ECP						
ECO	100,000A	100/100	125	200/250	250	250

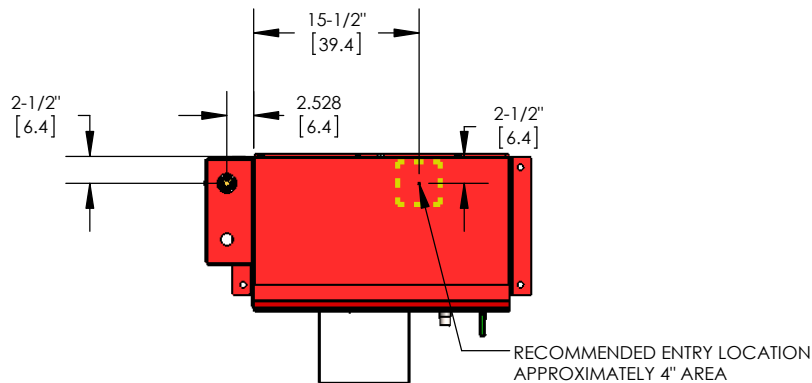
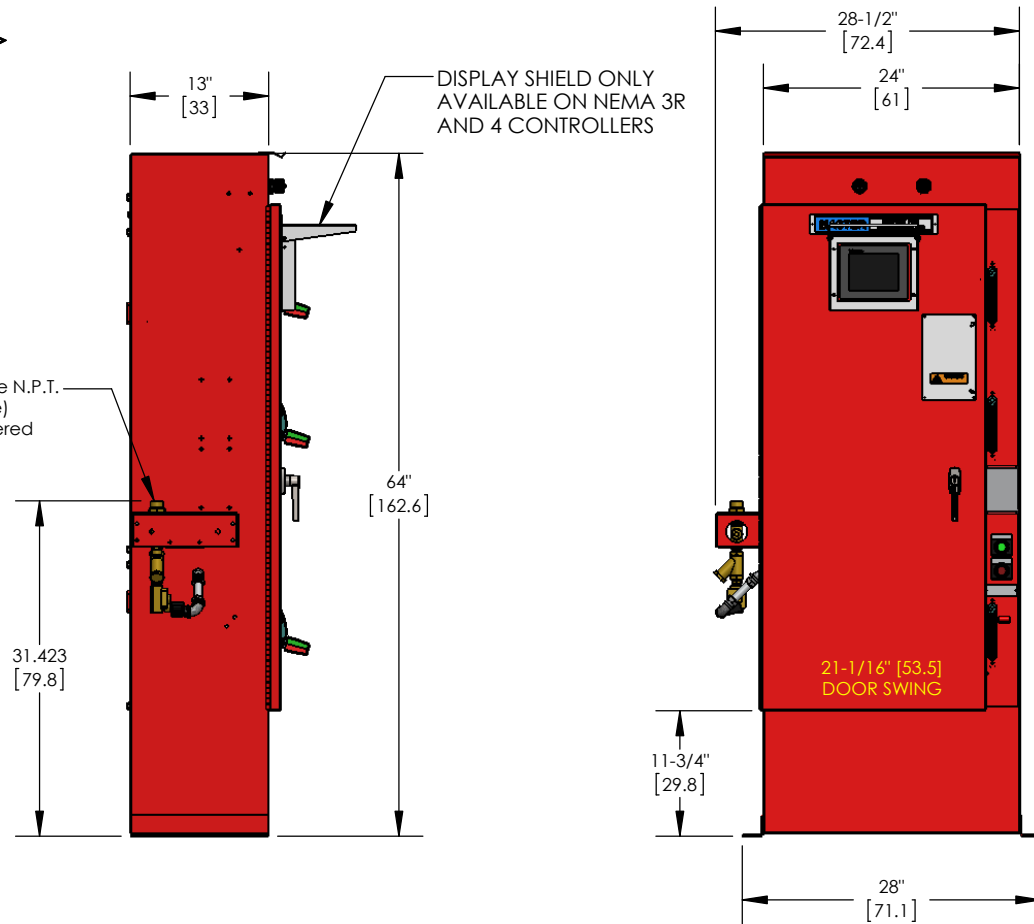


1/2" (13mm) Female N.P.T.
Nominal (Trade Size)
American Std. Tapered
Pipe Thread

Notes:

- Construction:** NEMA Type 2, 12, 3R, and 4
- Finish:** Fire Pump Red
- Conduit Entrance:** Conduit Entry on Top or Bottom. Protect Equipment from Drilling Chips
- Conduit Hubs:** Waterproof Hubs Required for Top Entry
- Access:** Front
- Mounting:** Floor Mount
- Shipping Weight:** 395 Lbs. (180 kg) Max.

Dimensions In Inches and [Centimeters]



RECOMMENDED CONDUIT ENTRY AREA AT BOTTOM OF CONTROLLER. AREA IS APPROX 8-1/4" x 17-1/4"

