

# ECO Wye Delta (Open) Fire Pump Controller

**MASTER**

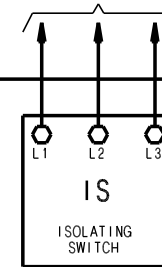
**Notes:**

- 1) Deluge Valve (maintained) contact(s) & Remote Start (momentary) contact(s) OPEN to start pump.
- 2) Lockout contact(s) CLOSE to lockout pump.
- 3) Power Failure Alarm (PAR) contacts shown in Alarm State. All others shown Normal.

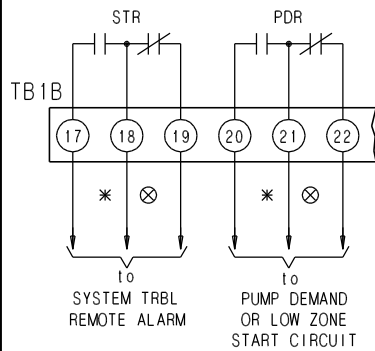
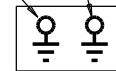
CONTROLLER SUITABLE FOR USE AS SERVICE EQUIPMENT

GROUNDING SERVICE CONDUCTOR  
GROUNDING ELECTRODE CONDUCTOR

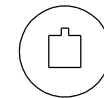
to Normal 3 Ø A.C. Source (SEQUENCE ABC)



MASTER Electric Fire Pump Controller

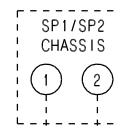
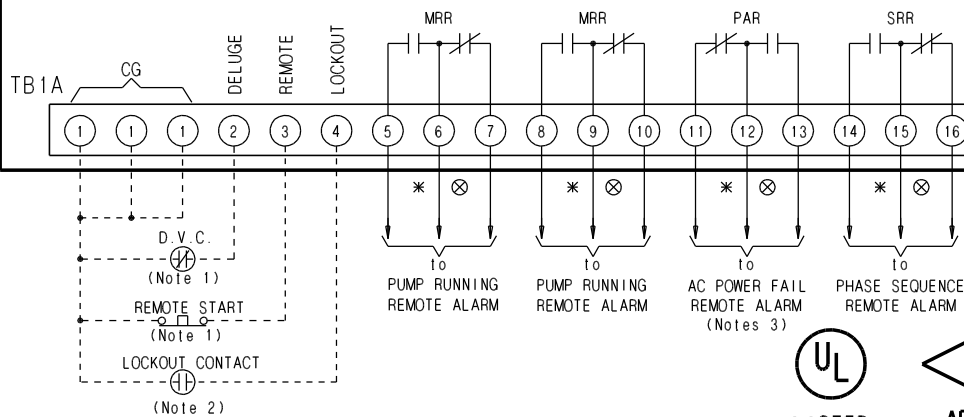
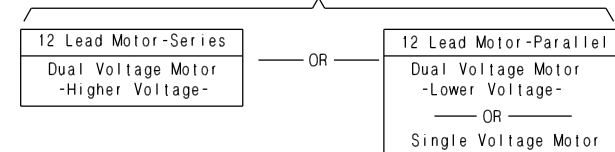


\*-Contacts CLOSE to ALARM ⊗-Contacts OPEN to ALARM  
Alarm contact rating (Resistive): 2 Amps @ 30VDC.  
1 Amp @ 125 VAC

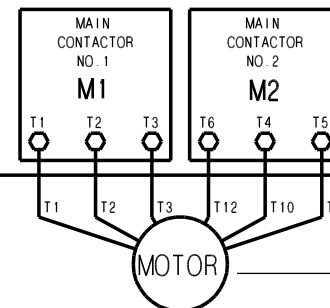


EXTERNAL ETHERNET RJ45 CONNECTOR

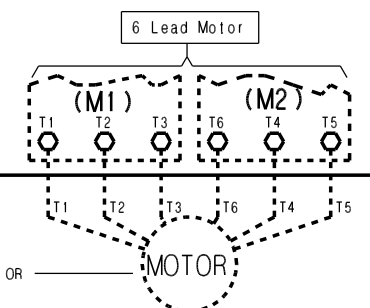
Typical Wye-Delta Motor Controller Connections (for NEMA Motor Lead Designations)



TO 1 Ø A.C. SUPERVISORY POWER SOURCE



For 12 Lead (Series) Motor Tie Together Motor Leads T4-T7, T5-T8, T6-T9



For 12 Lead (Parallel) Motor Tie Together Motor leads T1-T7, T2-T8, T3-T9, T6-T12, T4-T10, T5-T11



Master Control Systems Inc.  
LAKE BLUFF, ILLINOIS U.S.A.

MODEL ECO EXTERNAL WIRING DIAGRAM - G4

Date 10 Jan 2014

Drawing 21105

Issue 2