

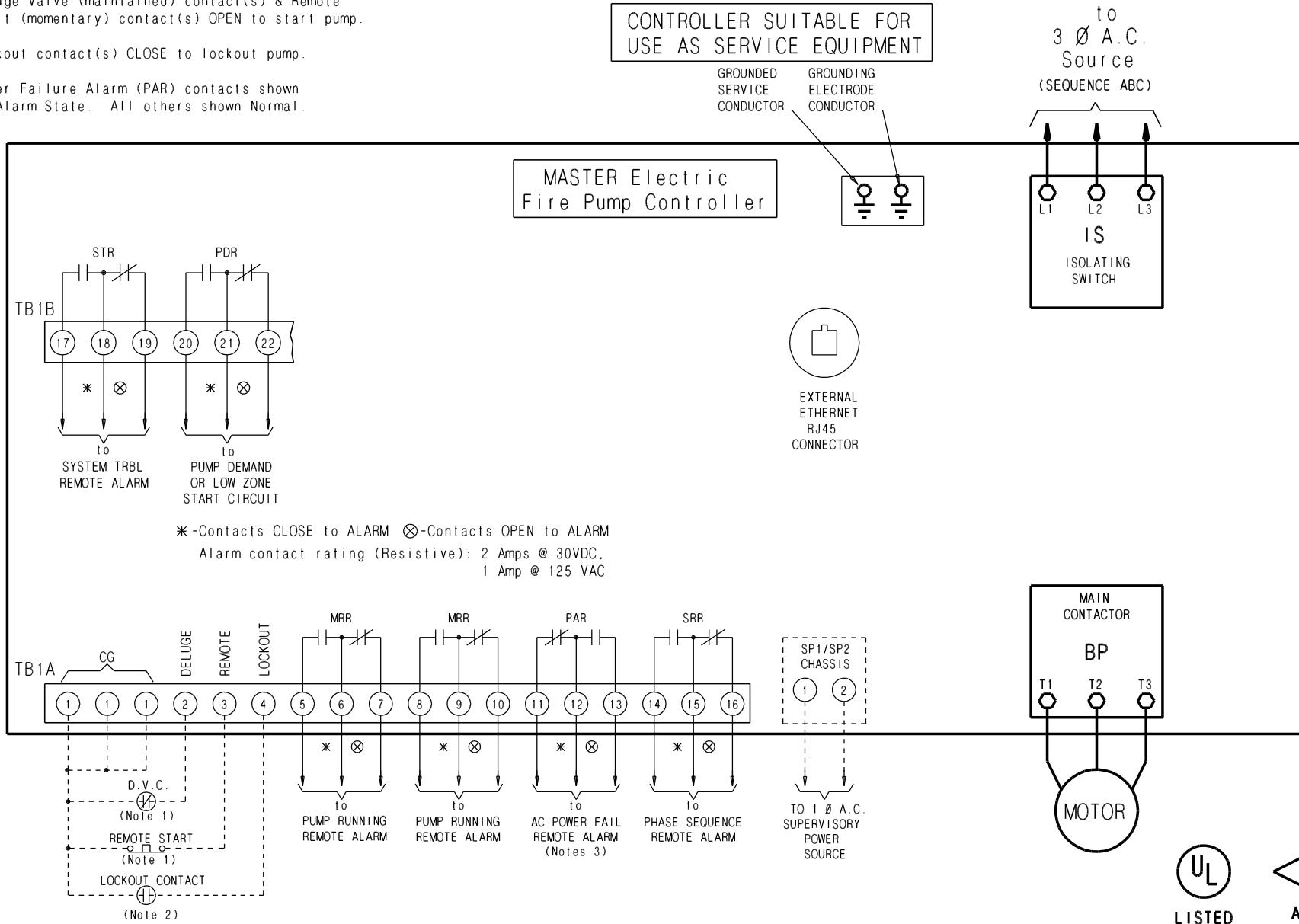
ECVS Variable Speed Fire Pump Controller

MASTER

Notes:

- 1) Deluge Valve (maintained) contact(s) & Remote Start (momentary) contact(s) OPEN to start pump.
- 2) Lockout contact(s) CLOSE to lockout pump.
- 3) Power Failure Alarm (PAR) contacts shown in Alarm State. All others shown Normal.

CONTROLLER SUITABLE FOR USE AS SERVICE EQUIPMENT



Master Control Systems Inc.
LAKE BLUFF, ILLINOIS U.S.A.

MODEL ECVS EXTERNAL WIRING DIAGRAM
SOFT START BYPASS - G4

Date 10 Jan 2014

Drawing 21127

Issue 2