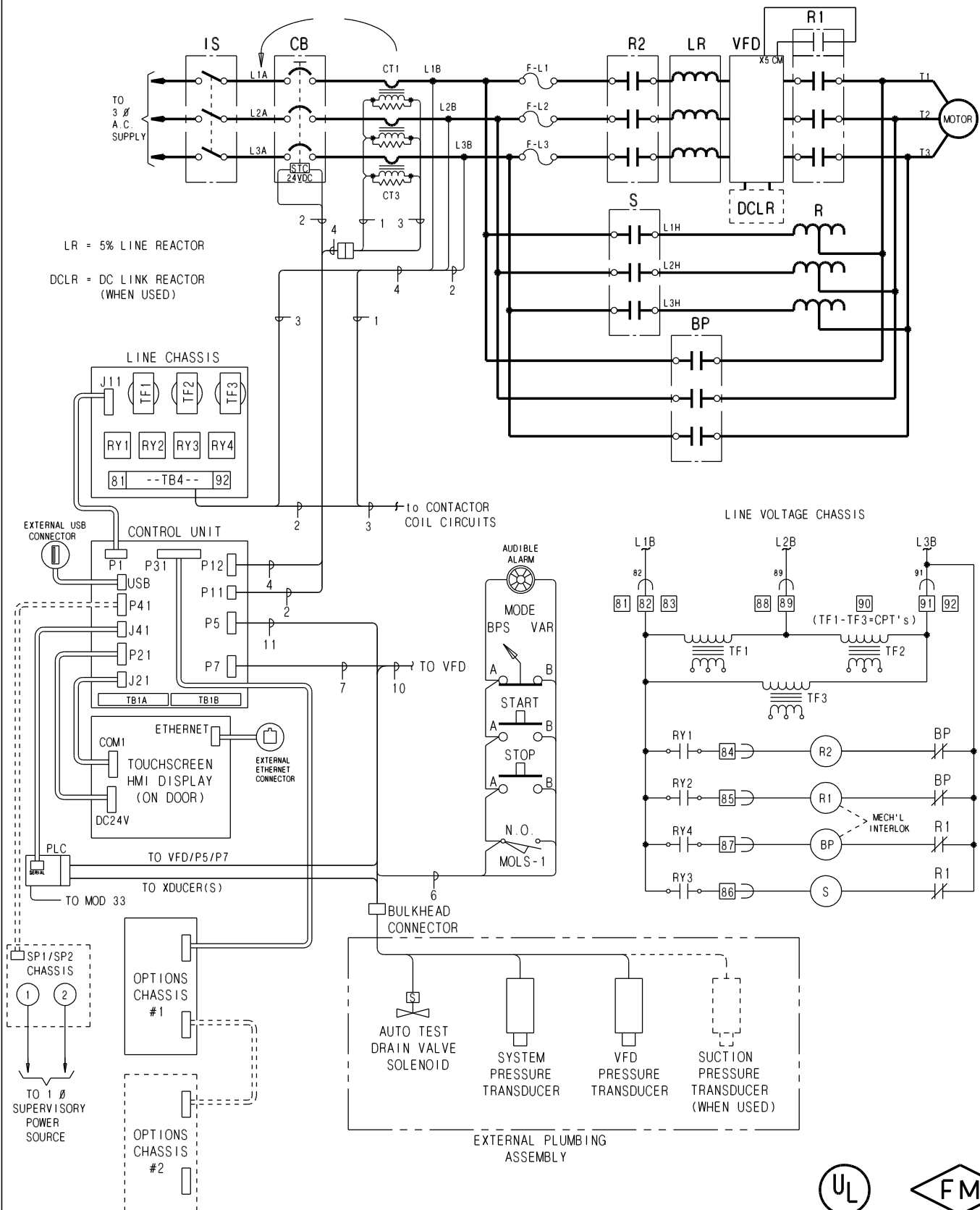


ECVR Variable Speed Fire Pump Controller

MASTER



Master Control Systems Inc.
 LAKE BLUFF, ILLINOIS U.S.A.

MODEL ECVR SCHEMATIC DIAGRAM
 PRIMARY REACTOR BYPASS - G4

Date 8 June 2016

Drawing 21243

Issue 1