

ECPT Part Winding Transfer Switch Fire Pump Controller

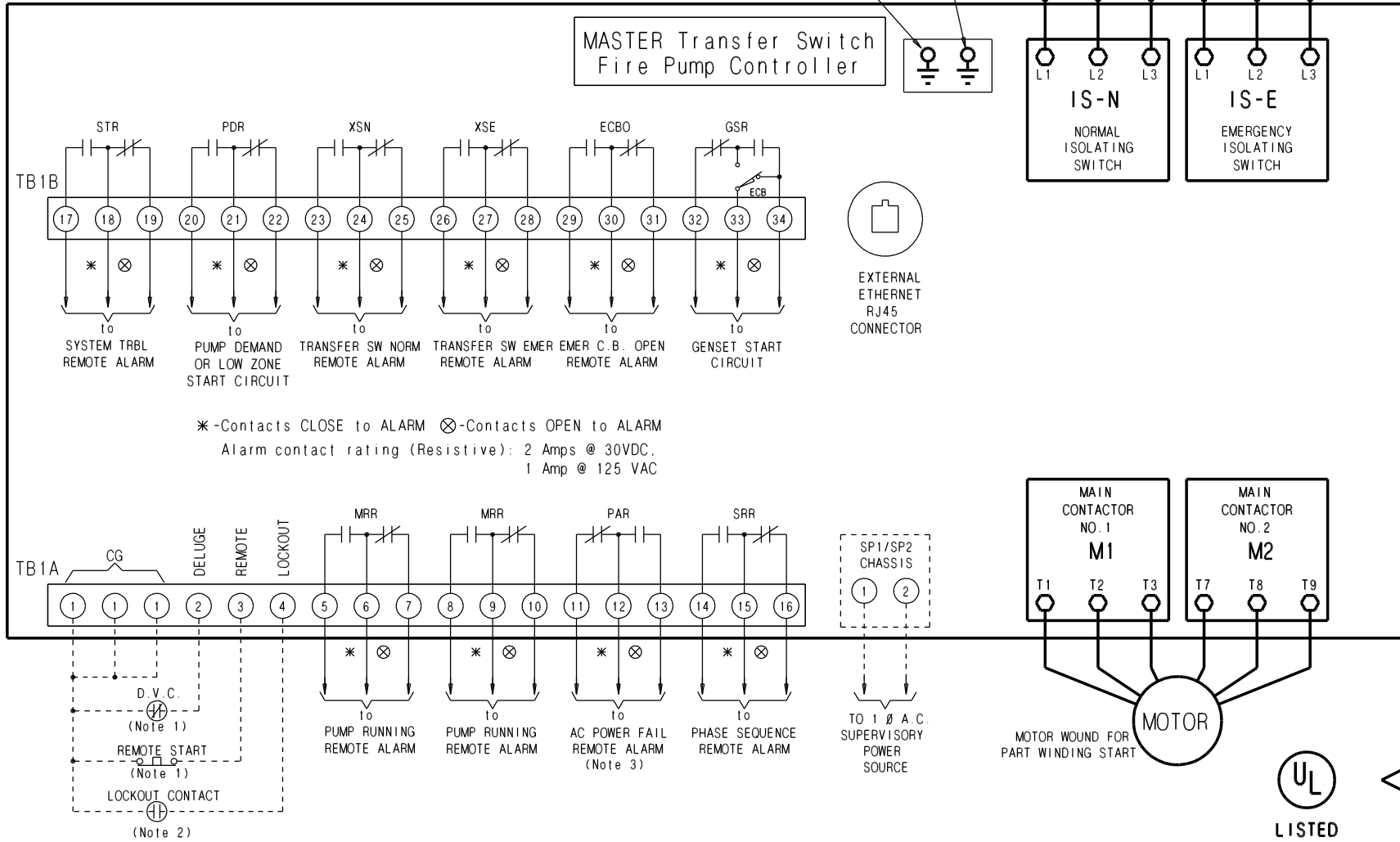
MASTER

Notes:

- 1) Deluge Valve (maintained) contact(s) & Remote Start (momentary) contact(s) OPEN to start pump.
- 2) Lockout contact(s) CLOSE to lockout pump.
- 3) Power Failure Alarm (PAR) & Genset Start (GSR) contacts shown in Alarm or Starting State. All others shown Normal.

CONTROLLER SUITABLE FOR USE AS SERVICE EQUIPMENT

to Normal 3 Ø A.C. Source (SEQUENCE ABC) to Emergency 3 Ø A.C. Source (SEQUENCE ABC)



Master Control Systems Inc.
LAKE BLUFF, ILLINOIS U.S.A.

MODEL ECPT EXTERNAL WIRING DIAGRAM - G4

Date 10 Jan 2014

Drawing 21112

Issue 2