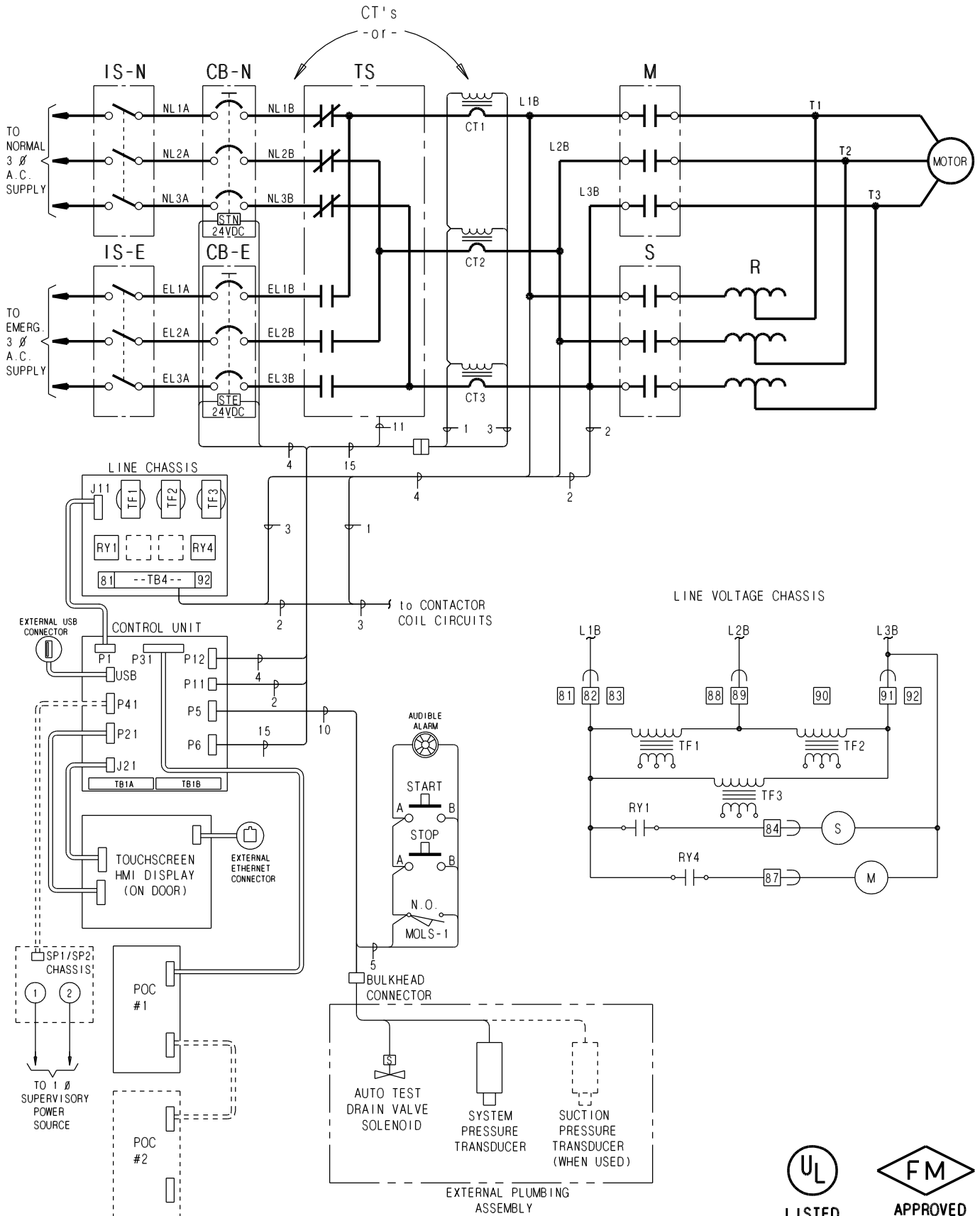


# ECRT Transfer Switch Fire Pump Controller

**MASTER**



**Master Control Systems Inc.**  
LAKE BLUFF, ILLINOIS U.S.A.

Model ECRT  
Schematic Diagram - G4

Date 4 April 2013

Drawing 21213

Issue 1