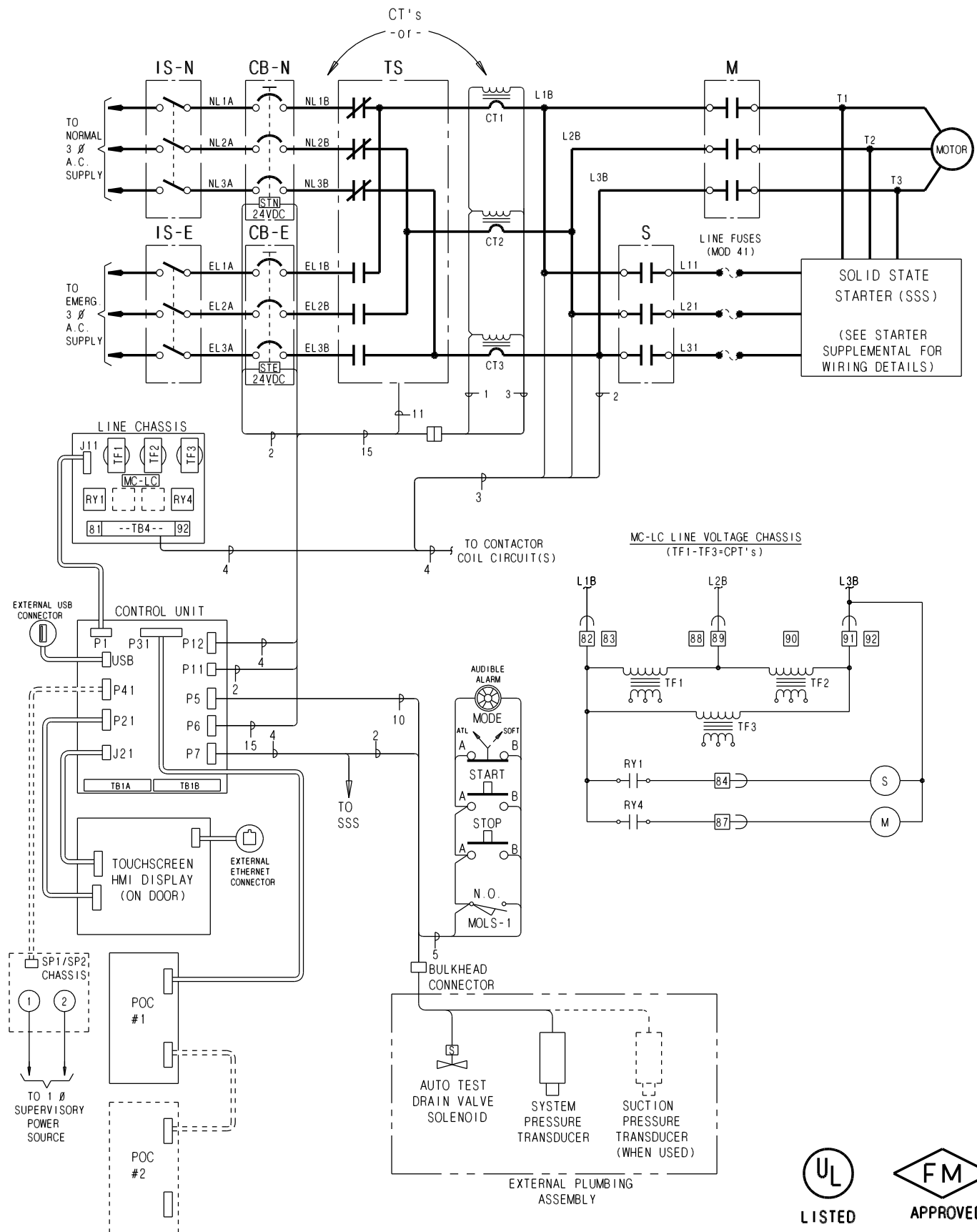


# ECST Transfer Switch Fire Pump Controller

# MASTER



**Master Control Systems Inc.**  
LAKE BLUFF, ILLINOIS U.S.A.

Model ECST  
Schematic Diagram - G4

Date 10 December 2014

Drawing 21217

Issue 6