

MCYT Wye Delta (Closed) Transfer Switch Line Fire Pump Controller

MASTER

Notes:

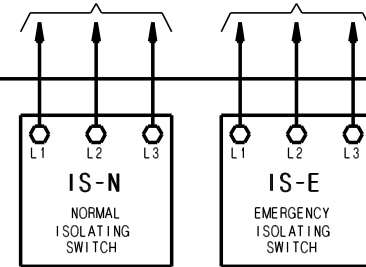
- 1) Deluge Valve (maintained) contact(s) & Remote Start (momentary) contact(s) OPEN to start pump.
- 2) Lockout contact(s) CLOSE to lockout pump.
- 3) Power Failure Alarm (PAR) & Genset Start (GSR) contacts shown in Alarm or Starting State. All others shown Normal.

CONTROLLER SUITABLE FOR USE AS SERVICE EQUIPMENT

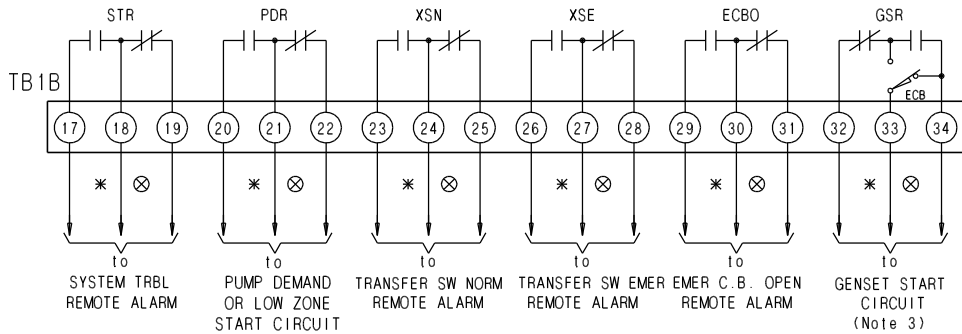
GROUNDING SERVICE CONDUCTOR
GROUNDING ELECTRODE CONDUCTOR

to Normal
3 Ø A.C.
Source
(SEQUENCE ABC)

to Emergency
3 Ø A.C.
Source
(SEQUENCE ABC)

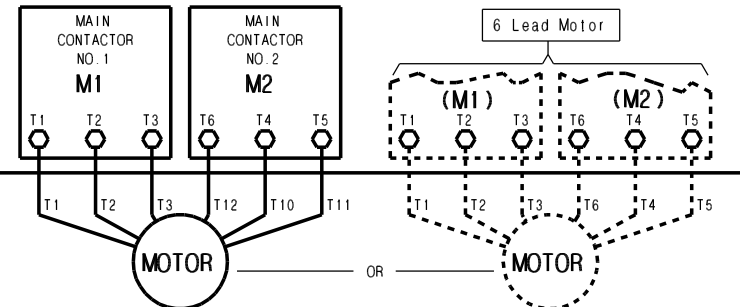
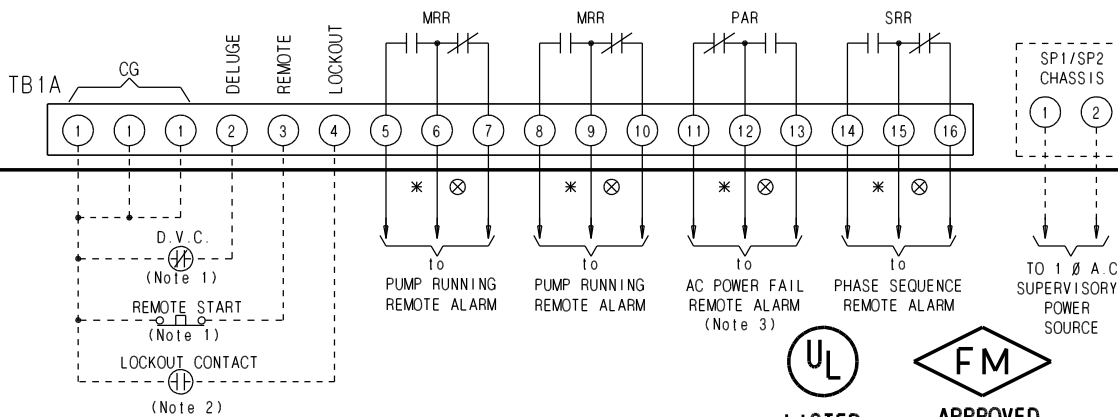
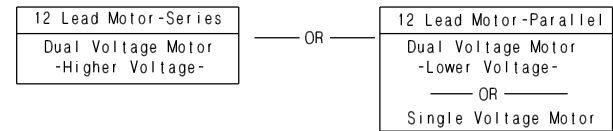


MASTER Transfer Switch
Fire Pump Controller



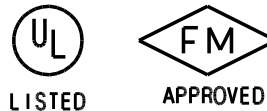
*-Contacts CLOSE to ALARM ⊗-Contacts OPEN to ALARM
Alarm contact rating (Resistive): 2 Amps @ 30VDC.
1 Amp @ 125 VAC

Typical
Wye-Delta Motor Controller Connections
(for NEMA Motor Lead Designations)



For 12 Lead (Series) Motor
Tie Together Motor Leads
T4-T7, T5-T8, T6-T9

For 12 Lead (Parallel) Motor
Tie Together Motor Leads
T1-T7, T2-T8, T3-T9
T6-T12, T4-T10, T5-T11



Master Control Systems Inc.
LAKE BLUFF, ILLINOIS U.S.A.

MODEL MCYT EXTERNAL WIRING DIAGRAM - G4

Date 10 Jan 2014

Drawing 20116 Issue 2