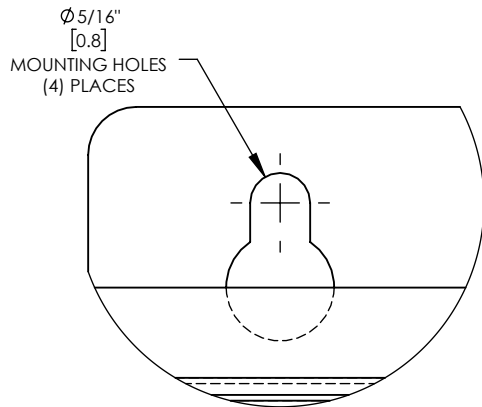
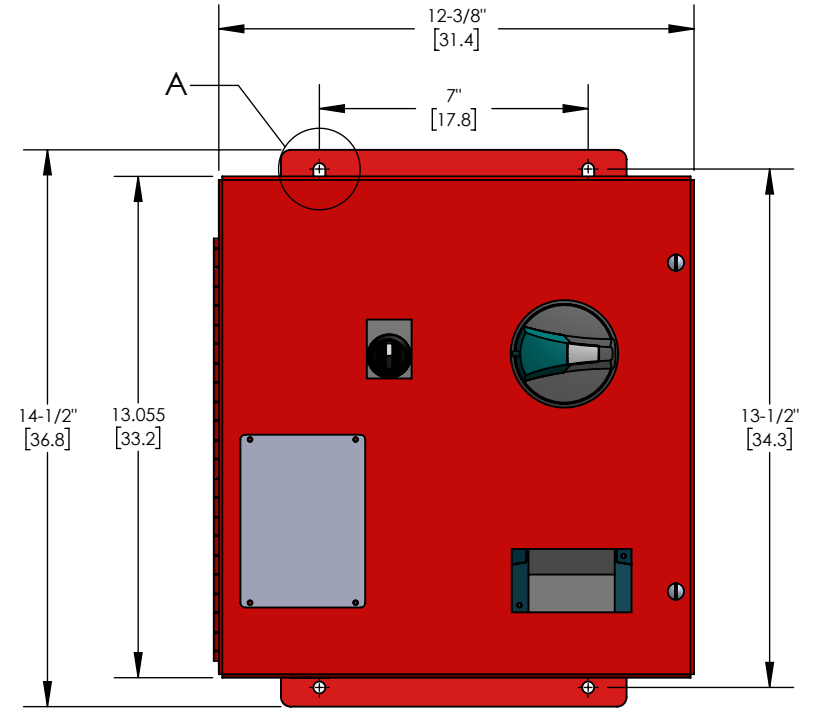
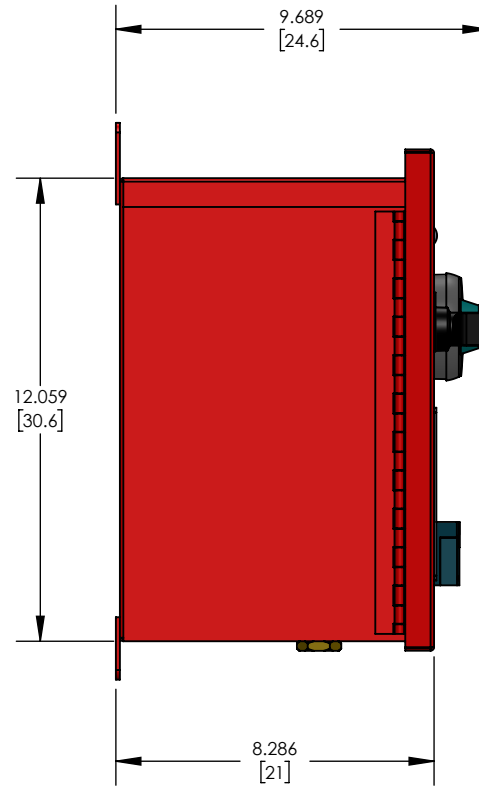


JPCV Variable Speed Jockey Pump Controller

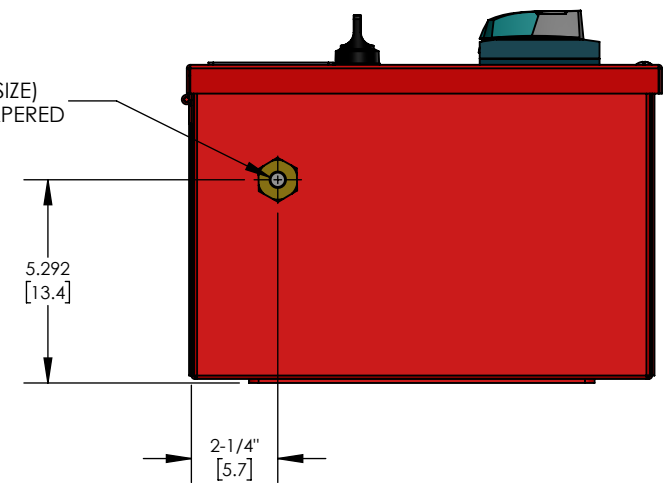
MASTER



DETAIL A
SCALE 1 : 1



1/4" FEMALE N.P.T.
NOMINAL (TRADE SIZE)
AMERICAN STD. TAPERED
PIPE THREAD



NOTES:

- CONSTRUCTION: NEMA TYPE 2
- FINISH: FIRE PUMP RED
- CONDUIT ENTRANCE: CONDUIT ENTRY ON TOP OR BOTTOM.
PROTECT EQUIPMENT FROM DRILLING CHIPS
- CONDUIT HUBS: WATERPROOF HUBS REQUIRED FOR TOP ENTRY
- ACCESS: FRONT
- MOUNTING: WALL MOUNT
- SHIPPING WEIGHT: 20 LBS. (9.1 KG) MAX.

DIMENSIONS IN INCHES AND [CENTIMETERS]

