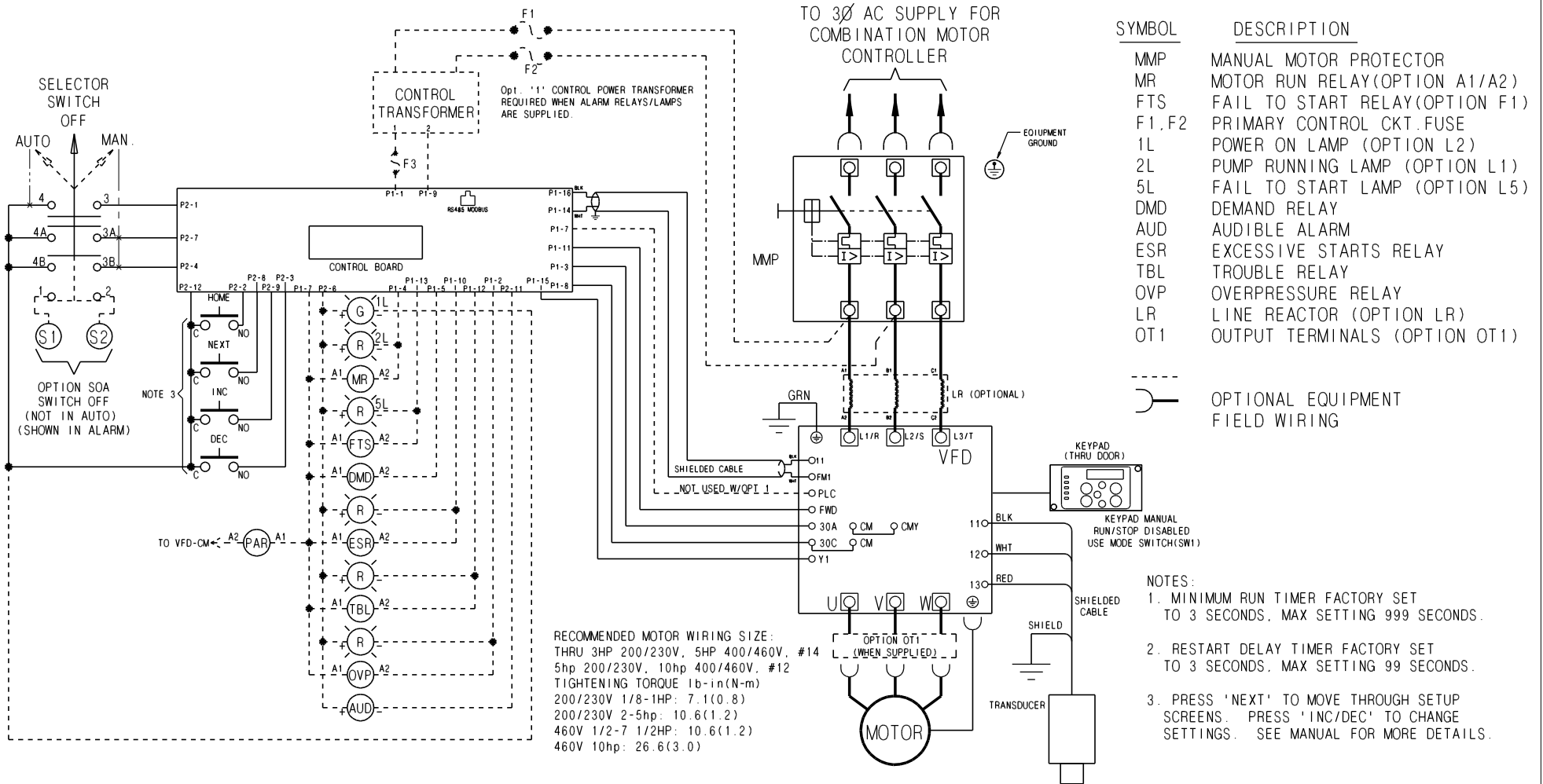


# Model PMCVE Pump Motor Controller

**MASTER**



SYMBOL	DESCRIPTION
MMP	MANUAL MOTOR PROTECTOR
MR	MOTOR RUN RELAY(OPTION A1/A2)
FTS	FAIL TO START RELAY(OPTION F1)
F1, F2	PRIMARY CONTROL CKT. FUSE
1L	POWER ON LAMP (OPTION L2)
2L	PUMP RUNNING LAMP (OPTION L1)
5L	FAIL TO START LAMP (OPTION L5)
DMD	DEMAND RELAY
AUD	AUDIBLE ALARM
ESR	EXCESSIVE STARTS RELAY
TBL	TROUBLE RELAY
OVP	OVERPRESSURE RELAY
LR	LINE REACTOR (OPTION LR)
OT1	OUTPUT TERMINALS (OPTION OT1)

OPTIONAL EQUIPMENT FIELD WIRING

RECOMMENDED MOTOR WIRING SIZE:  
 THRU 3HP 200/230V, 5HP 400/460V, #14  
 5hp 200/230V, 10hp 400/460V, #12  
 TIGHTENING TORQUE 1b-in(N-m)  
 200/230V 1/8-1HP: 7.1(0.8)  
 200/230V 2-5hp: 10.6(1.2)  
 460V 1/2-7 1/2HP: 10.6(1.2)  
 460V 10hp: 26.6(3.0)

- NOTES:
1. MINIMUM RUN TIMER FACTORY SET TO 3 SECONDS. MAX SETTING 999 SECONDS.
  2. RESTART DELAY TIMER FACTORY SET TO 3 SECONDS. MAX SETTING 99 SECONDS.
  3. PRESS 'NEXT' TO MOVE THROUGH SETUP SCREENS. PRESS 'INC/DEC' TO CHANGE SETTINGS. SEE MANUAL FOR MORE DETAILS.

ALARM CONTACTS CONTACT RATING: 5A MAX. AT 240VAC OR 28VDC

